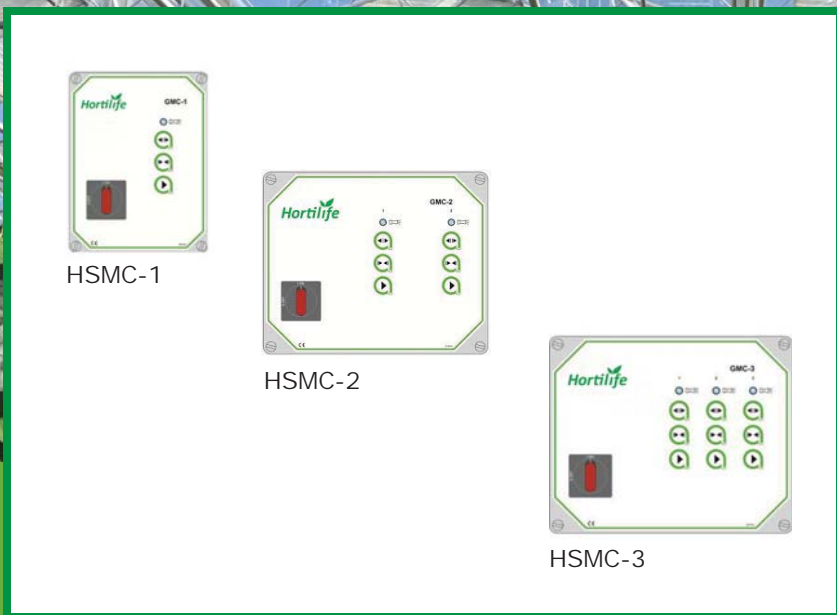




# Hortilife SMC



**With the HSMC-1, the HSMC-2 and the HSMC-3, we are introducing the first products from our new range of motor controls. The HSMC distinguishes itself from our current relay boxes/ power units by the fact that the thermic safety has become surplus to requirements. In other words, a single version for the entire range of currents! These products are also characterised by universal operation and structure.**

The HSMC is a motor control for controlling 1-phase or 3-phase motors for opening and closing windows and screens, for example, and hoisting motors. The HSMC can be operated both manually and automatically.

The HSMC can be supplied in a version for 1, 2 or 3 motors, with a maximum motor current of 6.0A per motor. The motor current is measured in 2-phase and is adjustable by means of a potentiometer and to read out with the HSSD service display. The HSMC is supplied as standard with a lockable work switch, manual operation using push buttons and current measurement per motor. The computer control is 24 Vac/dc, and the HSMC is available in 1-phase 230V and 3-phase 230V or 400V versions. Other voltages available on re-quest.

**Hortilife B.V.**  
Koppelstraat 28  
7391 AK TWELLO  
The Netherlands  
tel. +31 85 4010835  
info@hortilife.com  
www.hortilife.com

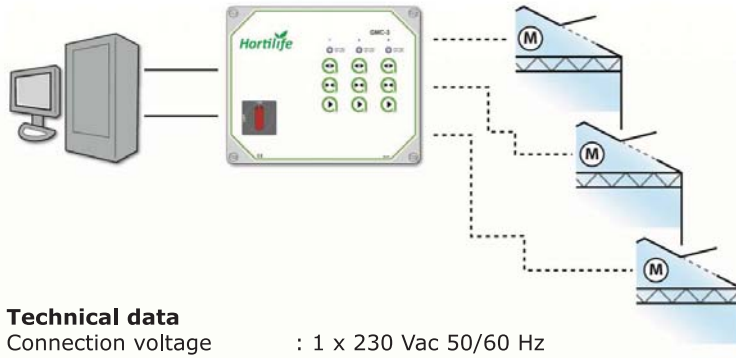
No rights can be derived from the content of this flyer

**Hortilife**  
The Green Engineers



**Advantages**

- Available for 1-phase and 3-phase motors
- Current monitoring per motor in 1 or 2 phase
- Nominal motor current adjustable from 0.4 A to 6.5 A
- A single version for the entire range of currents
- Anti-quick reversal
- Operation using push buttons
- Status led indication per motor control
- 24 Vdc output
- Possibility of connecting HSSD service display



**Technical data**

Connection voltage	: 1 x 230 Vac 50/60 Hz
	: 3 x 230 Vac 50/60 Hz
	: 3 x 400 Vac 50/60 Hz
Power input (HSMC-1, 2, 3)	: 10 VA, 17 VA, 17 VA
Motor current (adjustable)	: 0,4 A up to max. 6,0 A per motor
Computer control	: 24 Vac/dc
Contact load alarm relay	: 0,5 A / 24 V
Output 24 Vdc	: Maximum 180 mA
Casing	: IP54
Operating temperature range	: 0- 50 °C
Dimensions (H x W x D)	: 220 x 170 x 110 mm (HSMC-1)
	: 220 x 270 x 110 mm (HSMC-2, HSMC-3)

**To read out with the Hortilife System Service Display (HSSD):**

- Set motor current
- Actual motor current
- Operating hours
- Number of circuits
- Status limit switches
- Unbalanced
- Etcetera



HSSD

**Hortilife B.V.**

Koppelstraat 28  
7391 AK TWELLO  
The Netherlands  
tel. +31 85 4010835  
info@hortilife.com  
www.hortilife.com

**АТС Россия**

Тел. +7(495)4911811  
Моб. +7(916)6163098  
ats-moscow@mail.ru

**АТС Украина**

Тел. +380474452406  
Моб. +380939318800  
ats@um.ck.ua